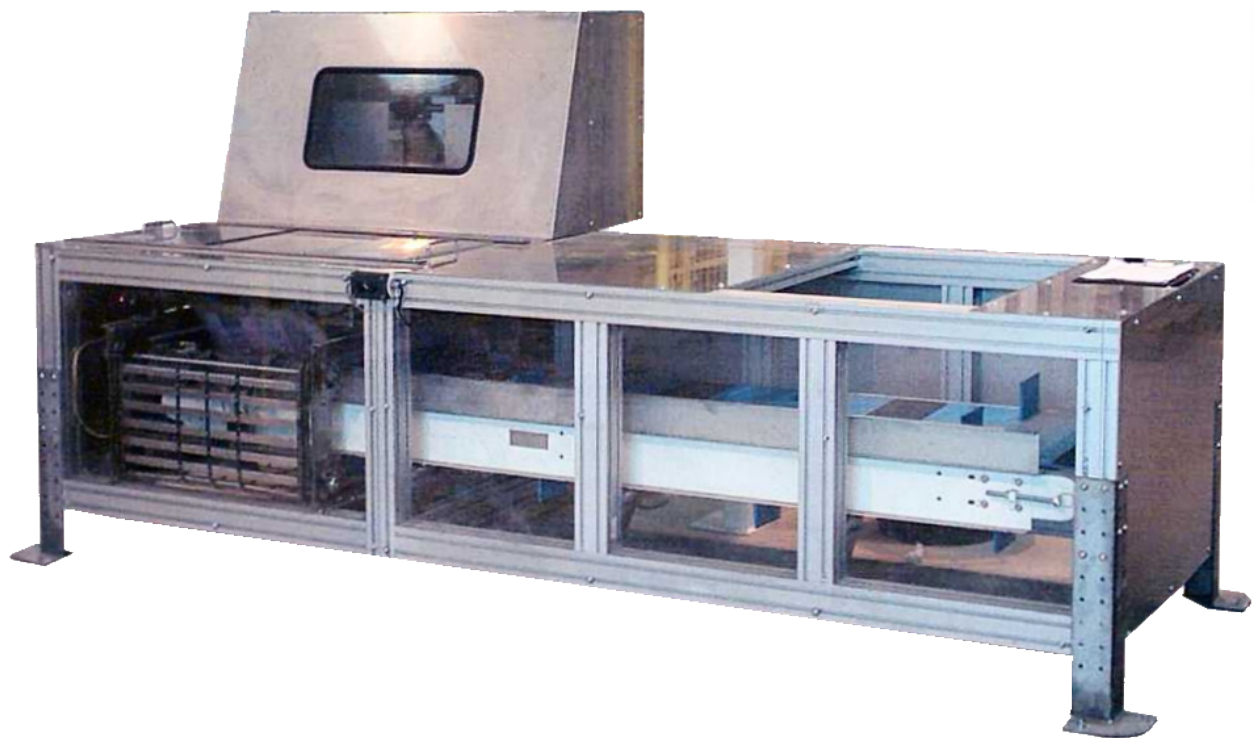


# **PACEPACKER SERVICES**



Automation with imagination....



## **G900-MX SACK PLACER**

HIGH SPEED AND RELIABLE SACK PLACING  
SUITABLE FOR ALL CONDITIONS AND ENVIRONMENTS.

### Operation

Robust stainless steel and aluminium construction with small bore vacuum system gives smooth, fast and reliable operation on a wide variety of plastic, paper and woven poly sack materials. A sack is lifted from the pile at the rear and a slatted conveyor indexes and separates the bag, taking it forward to a precise point, ready for opening. This opening point is controlled by an adjustable stop for accurate positioning. Two sets of suction cups then open the bag allowing the swing arm blades to enter and grip the bag. The swing arms then rotate up to the sack clamp.

### Control System

The G-Series control system utilises the latest PLC technology and incorporates a very user friendly operator interface (HMI Screen) which has a clear display and powerful new features. Other features include the ASI communication system, Modem option for remote diagnostics and editing, visual fault display. Operation is through a combination of electrical and pneumatic actuators.

### Packing Speeds

Packing speeds depend on many factors such as weigher speed, filling time, conveyor speed etc. Typical speeds for the G-Series is 900 sacks per hour or 15 bags per min. However speeds in excess of 900 bags per hour or 15 bags per min are possible.

### Weigher Requirements

Works with almost any fully automatic net or gross weigher or volumetric filler.

### Sack Specification

Most commercial quality, paper or plastic sacks are acceptable, providing they are in good condition and stack neatly. Plastic sacks must be between 100 and 200 Micron. (400-800 Gauge), must be dry and free from static. WWP bags must have a tight weave to allow the vacuum system to work. They must be flat and not cut with a hot knife.

### Electrical Requirements

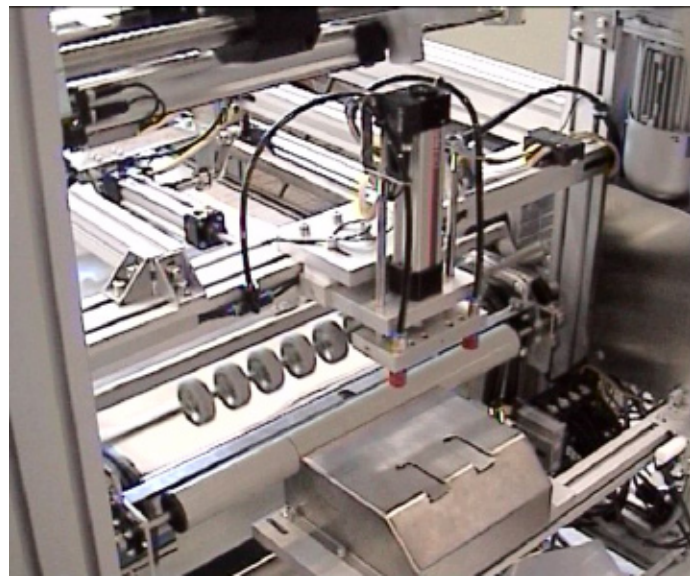
Standard: 415V, 50/60 Hertz 3 Phase + neutral, 10 Amp Supply. Alternatives can be accommodated.

### Air Requirements

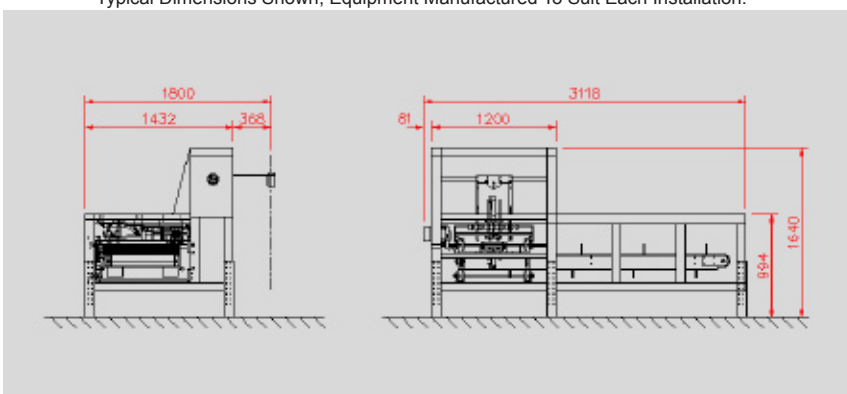
Cool, clean, dry air at 6 bar (90 PSI) at 27Litres (1 CuFt) per cycle. I.e. 15 cfm at 15 sacks/min 20mm (3/4") supply pipe minimum.

### Shipping Specification

Case Size (mm); 3,000 x 2,000 x 2,200mm high. Gross Weight; 420 Kg.



Typical Dimensions Shown, Equipment Manufactured To Suit Each Installation.



### Pacepacker Services Limited

Unit 16 Bluegate Hall,  
Great Bardfield,  
Essex, CM7 4PZ.  
England.

Tel: +44 (0) 1371 811544  
Fax: +44 (0) 1371 811621

[www.pacepackerservices.com](http://www.pacepackerservices.com)